

Simple and Elegant

This ultra-thin stainless steel hood quietly works to filter fumes as you cook, keeping your kitchen clean and dry.

Innovated especially for the Asian kitchen, its filtering technology expertly filters cooking oil into the oil tray for easy removal and cleaning. It's made for worry-free cooking.

FEATURES

- Punch Filter eliminates oily build-ups, and is anti-rust, washable and easy to clean.
- Technologically Advanced
- Removable Rectifier Panel.
- Sirocco Fan.
- Oil Catch Tray.
- Fire-retardant Body.
- LED light (energy saving).
- Electro Static Switch Control (Digital).

SPECIFICATIONS

Dimensions [mm]

- (R) W900 X D500 X H800-1020 (with extended duct)
 (V) W900 X D500 X H680-920 (with extended duct)

Air Flow [m³/h] (220/230/240V)

- (R) 500/505/510
 (V) 900/920/940

Sound Level [dB(A)] (220/230/240V)

- (R) 57/57/57
 (V) 53/54/55

Oil Capturing Ratio [%]

- (R) 92
 (V) 90

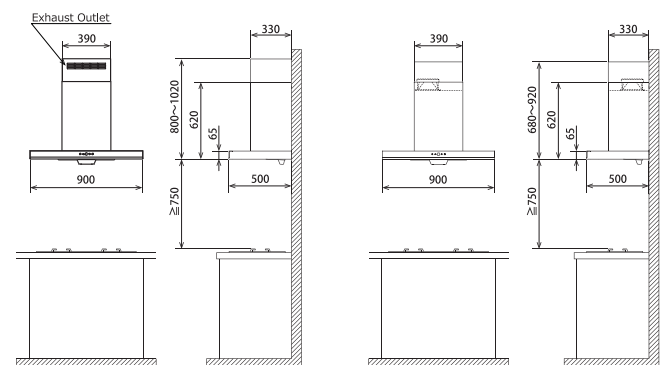
Power Consumption with lamp [W] (220/230/240V)

- (R) 169/179/187
 (V) 200/212/224

Weight (kg)

- (R) 27
 (V) 26

INSTALLATIONS



FJS-900R (Recycling) [mm]

FJS-900V (Ventilating) [mm]

HOOD/ FJS-900

シンプルで、
エレガント。

3 COOKER HOOD
LIMITED WARRANTY*
YEARS

*3 years warranty for motor • 1 year warranty for other parts
Warranty Terms and Conditions apply

