

STEAM OVEN/ FV-ST51GL

ヘルシーに、
美味しい料理を。

1 OVEN
LIMITED WARRANTY*
YEAR

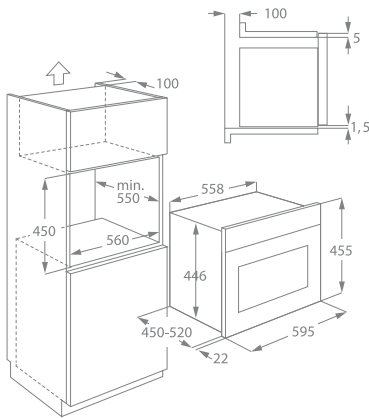
Healthy meals cooked to perfection

There's no healthier way to cook for your family than with steam. You retain the nutrients normally lost in other cooking methods, and every dish you bake is infused with the flavour of each of its ingredients for the tastiest meals imaginable.

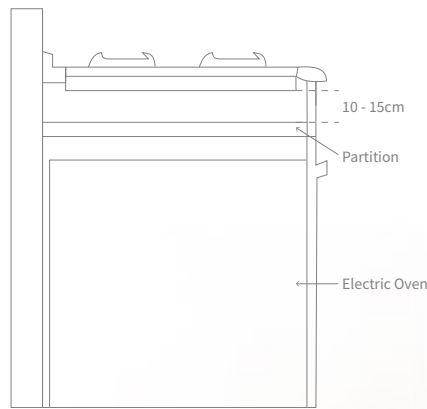
With our easy-to-use compact steam oven, we combine steam and hot air for healthier, faster baking. Now you can deliver to the table professionally cooked meals that are succulent on the inside. Once experienced, you'll have it no other way.



INSTALLATIONS



*Drawings for illustrative purposes only.



*Drawings for illustrative purposes only.

If there is a built-in oven set to be installed under gas hobs, it is required that a horizontal partition with high temperature resistant material is built in between the gas hob and built-in oven. The distance between the surface of this partition to the under surface of the gas hob must be at least 10-15cm to allow air circulation and protect the rubber gas tubing from the heat of the built-in oven.

FEATURES

- Compact 45 cm oven
- Digital touch controls
- 35 lt oven capacity
- Tangential cooling fan
- 1.4 lt water tank
- Side racks (4 levels)
- Stainless steel oven cavity
- Warm drawer accessory
- Electronic timer 0 to 90' with sound signal
- Defrosting by weight/time
- 25 preset functions: Steam, Regeneration, Cooking Vegetable, Fish, Meat, Side dishes with 5 auto recipes each
- Adjustable temperature from 40°C to 100°C
- Drop down door

FUNCTIONS

- | | | |
|----------------------------|---|--|
| Steam |  | Cooking all sorts of vegetables, rice, cereals and meat.
Extracting juice from berries.
Simultaneous defrosting and cooking of vegetables. |
| Regenerating & Sterilising |  | Regenerating plate dishes and ready-made meals.
Sterilising/boiling down fruit. |
| Side dishes |  | Cooking different types of side dishes. |
| Cooking vegetable |  | Cooking different types of vegetables. |
| Cooking fish |  | Cooking different types of fish. |
| Cooking meat |  | Cooking different types of meat. |

